

GAGE BILT...solutions




Introducing the GBP704RK & GBP704RK-1... Blind Rivet Kit

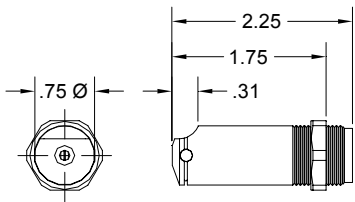
GAGE BILT offers a complete tool kit for installing Huck and Cherry blind rivets per NAS9301-NAS9312, M7885, BACR15FP/FR and BACR15GF/GK. The basic kit, GBP704RK, contains a straight nose to install -4, -5 and -6 diameter, bleeder bottle, pintail catcher bag and a grip selector gage. The dash one kit also contains a right angle and an offset nose, must items for re-work operations. All these items are stored in an easy access carrying case with a manual, data sheets, *powermax* tools manual and pocket card.



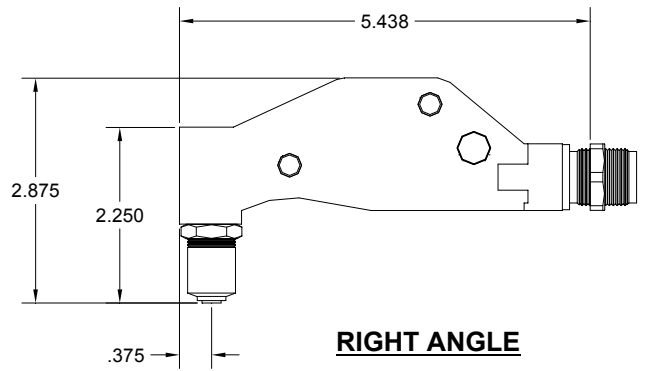
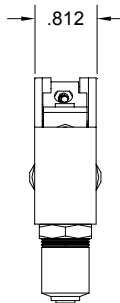
GAGE BILT
MADE IN U.S.A.

GAGE BILT PRODUCTS CORP.
14500 Barber Drive (586) 771-7664
Warren, Mi 48088 (586) 771-2665 Fax
e-mail:solutions@gagebilt.com / www.gagebilt.com

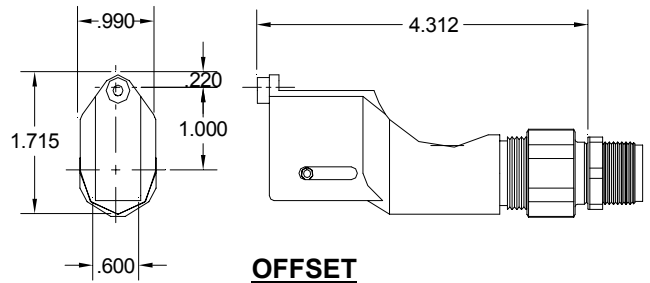
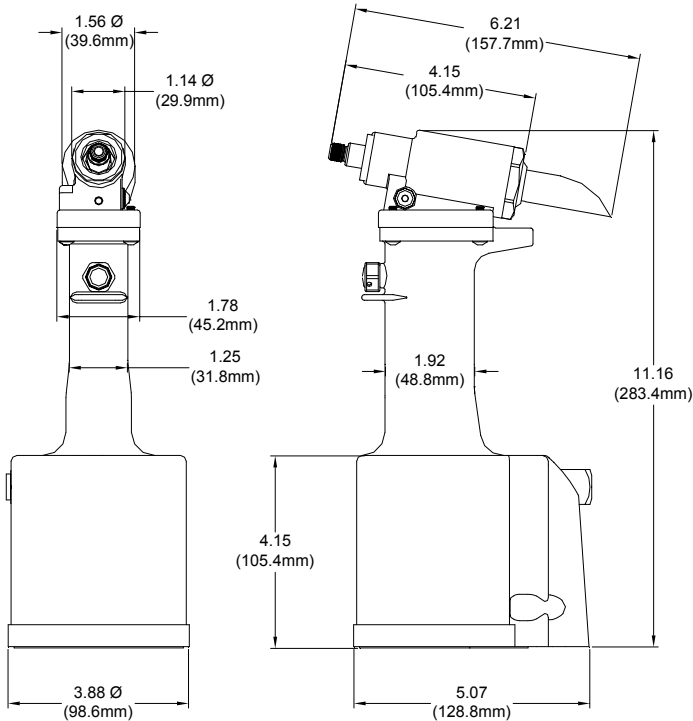
Cherrymax, Allmax, Huckmax NAS9301-9312, M7885 BACR15FP/FR & BACR15GF/GK	DIA.	NOSE ASSEMBLIES		
		STRAIGHT	RIGHT ANGLE	OFFSET
	1/8"	456MAX-701-17 (PULLS ALL 3)	456MAX-753-54RA (PULLS ALL 3)	456MAX-704-43OS (PULLS ALL 3)
	5/32"			
	3/16"			



STRAIGHT



RIGHT ANGLE



OFFSET